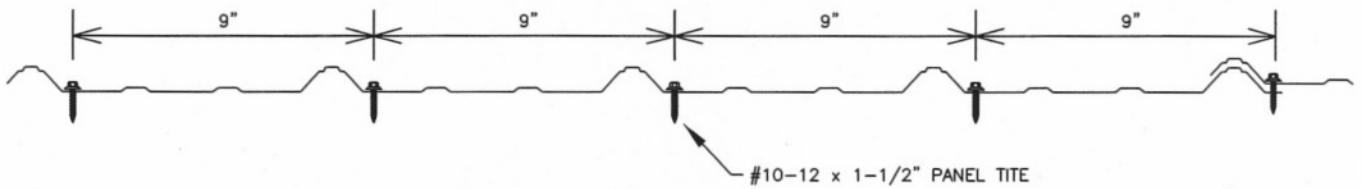
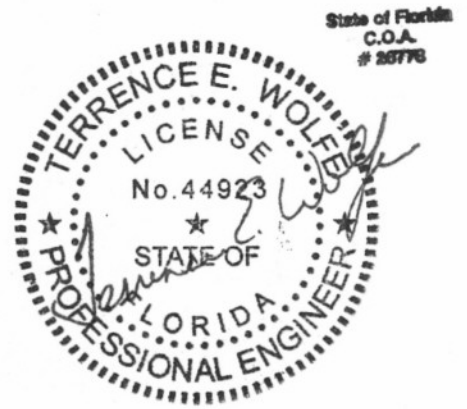
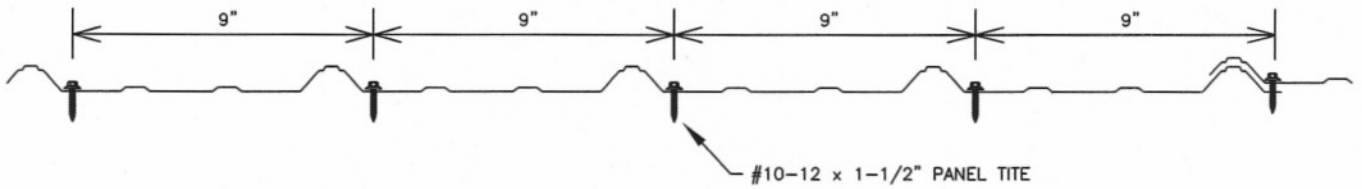


FASTENER PATTERN TYPE A, AT 24" O.C.

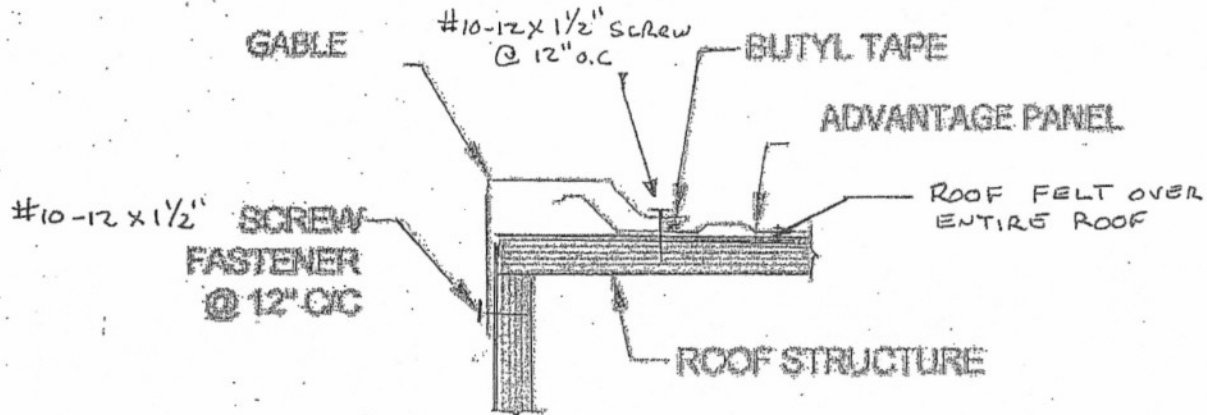


FASTENER PATTERN TYPE B, AT 12" O.C.

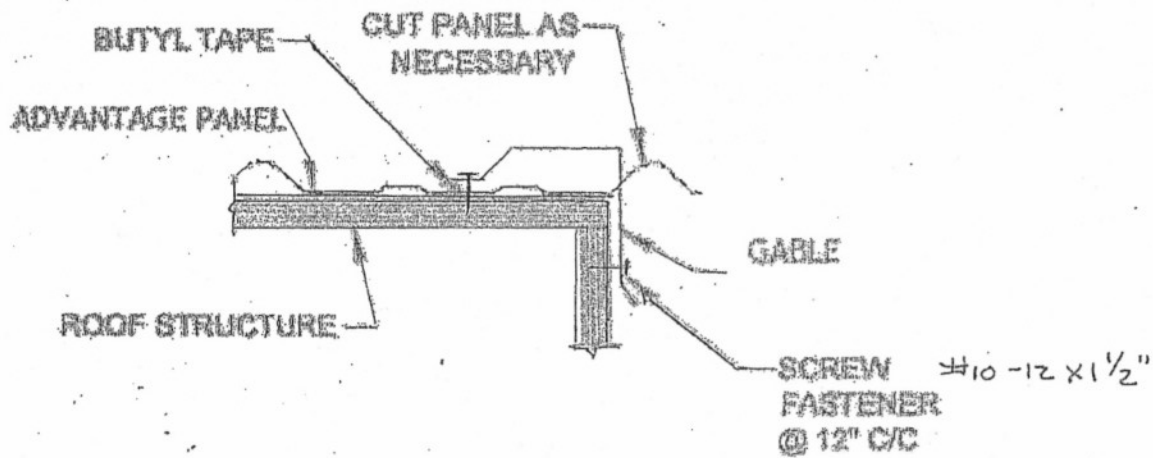


July 7, 2009

START GABLE DETAIL



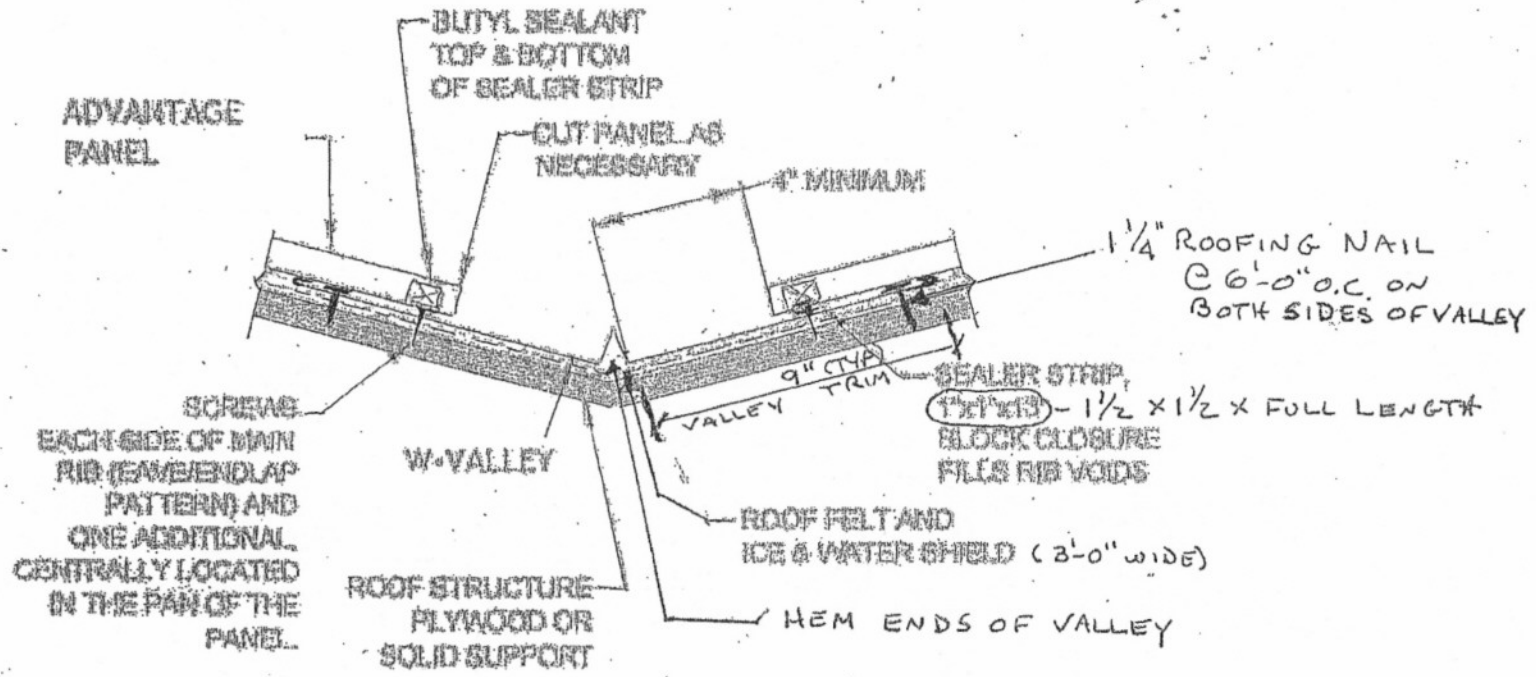
FINISH GABLE DETAIL



State of Florida
C.O.A.
26778

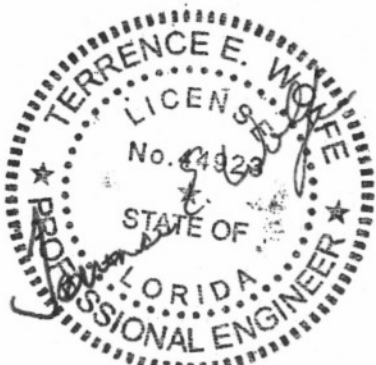


July 7, 2009



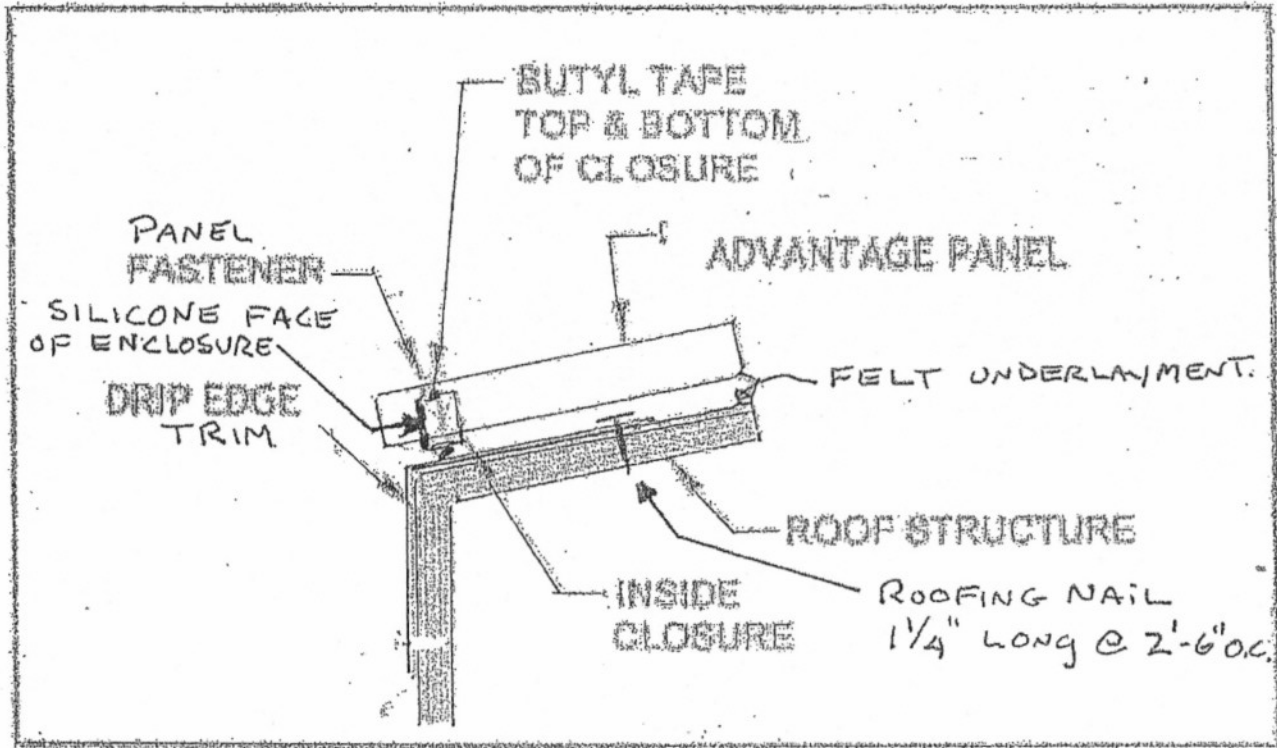
13

State of Florida
C.O.A.
26778



VALLEY DETAIL

DRIP EDGE DETAIL



14

State of Florida
C.O.A.
25778

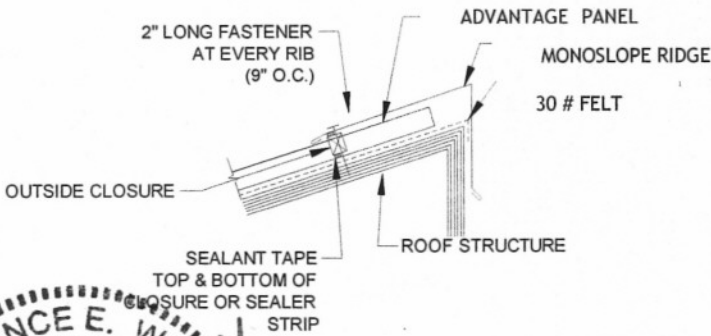


July 7, 2009

MONOSLOPE PEAK

Notes:

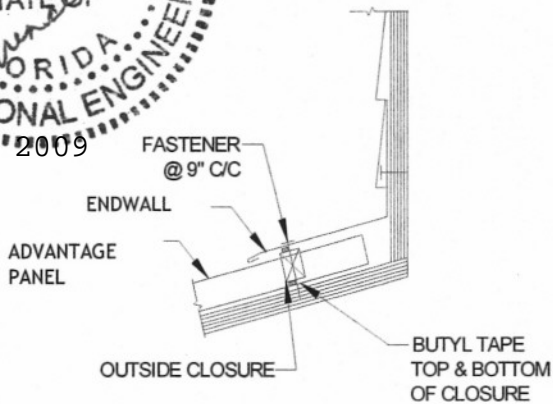
1. Roofing underlayment not shown.
2. Apply sealant to the bottom of the foam closure and position it on the roof panel approximately 1/2" - 1" back from the edge of the flashing as shown.
3. Apply sealant to the top of the foam closure.
4. Install flashing as shown.
5. When more than one length of flashing is used, a 6" minimum overlap is recommended. Apply sealant between the laps



ENDWALL DETAIL

Notes:

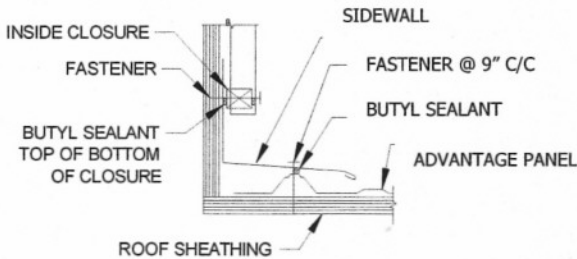
1. Roofing underlayment not shown.
2. Install the foam closure as shown using sealant on the top and bottom.
3. Install endwall flashing as shown.
4. When more than one endwall is needed, a 6" minimum overlap is recommended with sealant between the laps.



SIDEWALL DETAIL

Notes:

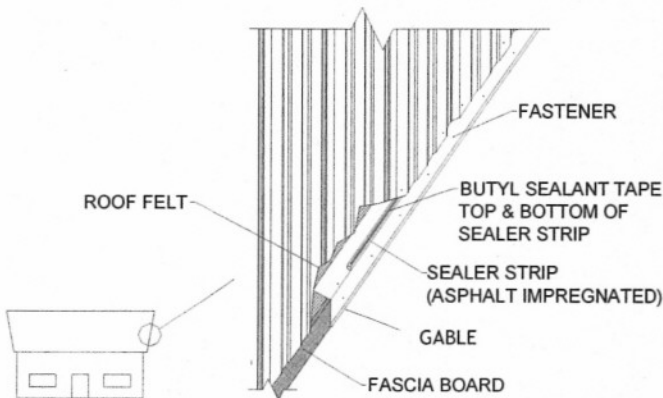
1. Roofing underlayment not shown.
2. The sidewall flashing is placed over the panel rib and placed behind the siding as shown.
3. When the panel rib does not end up next to the wall, cut the panel and bend a 1" return flange.



SWEPT WING GABLE

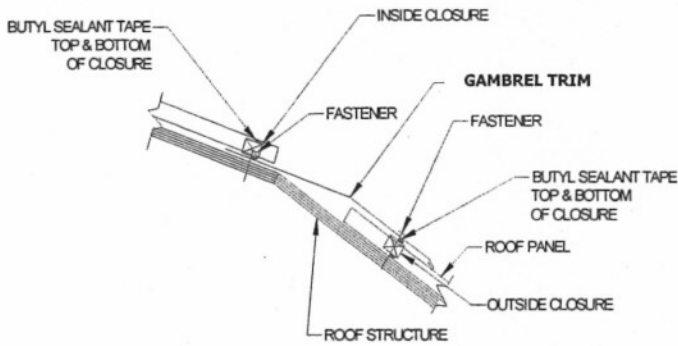
Note:

1. In high rain & snow areas, ADVANCED ALUMINUM recommends that a high-grade underlayment, such as ice and water shield, be placed along the entire swept wing gable.
2. Roofing underlayment not shown.
3. Install the 1 x 1x 10' sealer strip with a bead of butyl sealant tape top and bottom.
4. Cut panels to fit the gable angle and align downslope edge.
5. Fasten the panels through the flashing and into the deck using #14 WG screws per the standard Drip Edge fastening pattern.



July 7, 2009

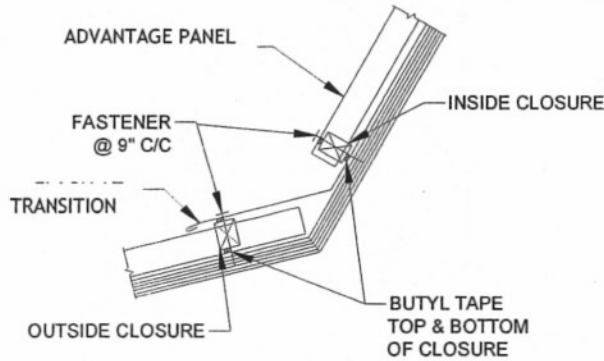
GAMBREL DETAIL



Notes:

1. Roofing underlayment not shown.
2. **Bottom panels of the slope transition must be installed first.**
3. Mark the location of the foam closure and place a bead of butyl sealant tape on the panels. Install the closures and a second bead of sealant on top of the closures.
4. Install Gambrel Transition trim using #14 x 1 1/2" WG screws into each rib of the bottom transition panels, 9" o.c.
5. Apply sealant as indicated above.

SLOPE TRANSITION (WOOD FRAMING)

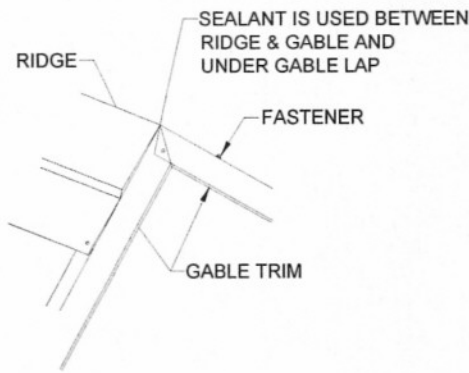


State of Florida
C.O.A.
25776

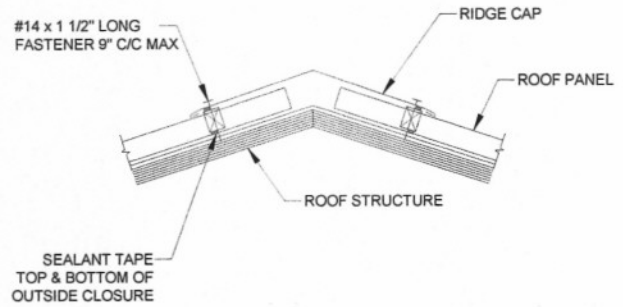


July 7, 2009

RIDGE & GABLE DETAILS



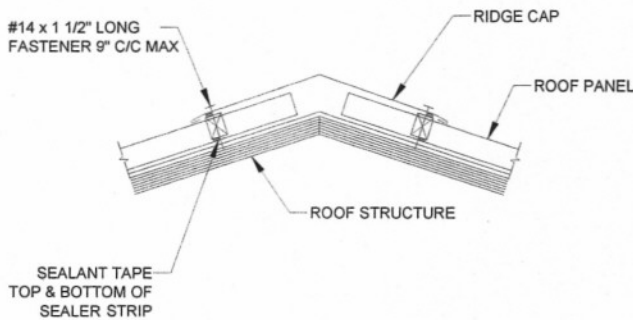
RIDGE DETAIL



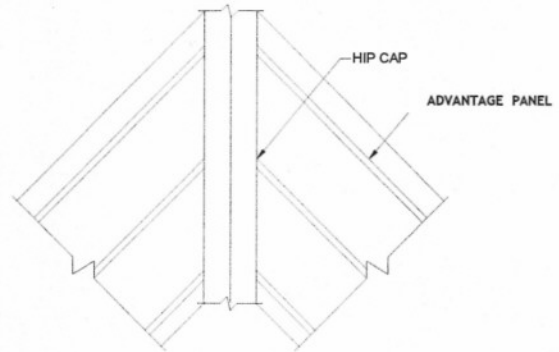
Notes:

1. Roofing underlayment not shown.
2. Plywood should be held back or cut back 1 1/2" from each side of the ridge.
3. **Attach the panels checking the 1" minimum overhang at the eave.**
4. Mark edge of ridge cap on both sides of the peak.
5. **The gable flashing must be installed prior to the ridge installation.**
6. Fasten the ridge cap using #14 x 1 1/2" WG screws on each panel rib 1" back from the edge of the profile vent

HIP DETAIL



HIP ROOF—PLAN VIEW



Note:

1. Hip flashing attachment same as ridge (see detail above).

State of Florida
C.O.A.
26776



July 7, 2009